

# Custom Design Kit Interoperability

## *Foundry Perspective*

**Walter Ng**

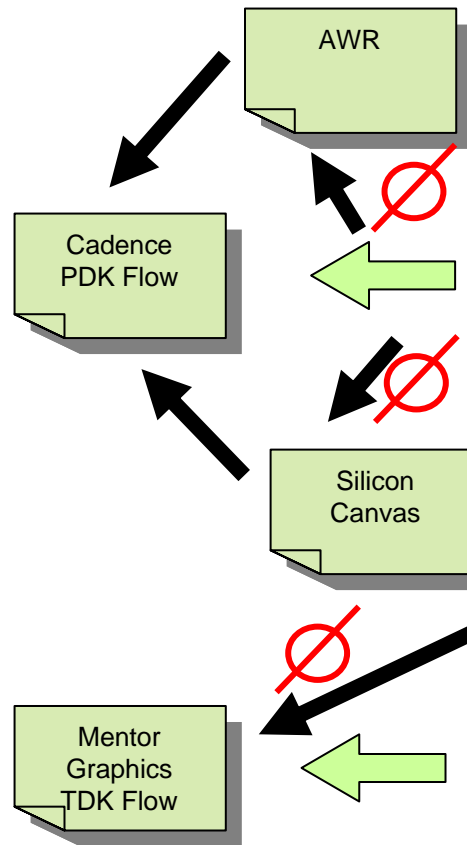
**Sr. Director, Platform Alliances**

**November 9, 2006**

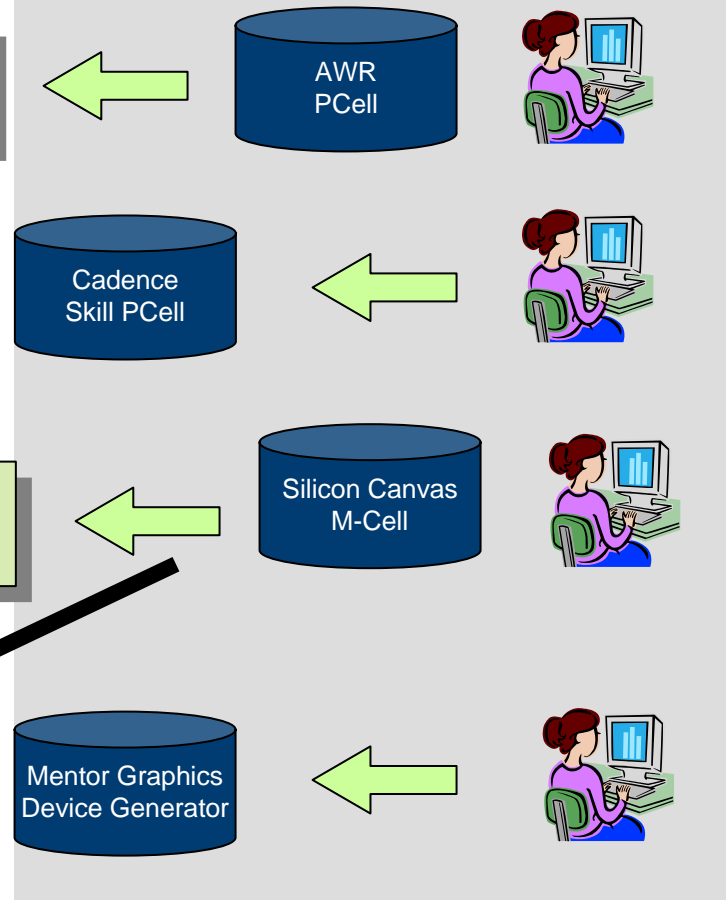
# Custom Design Kit Support

## Foundry View

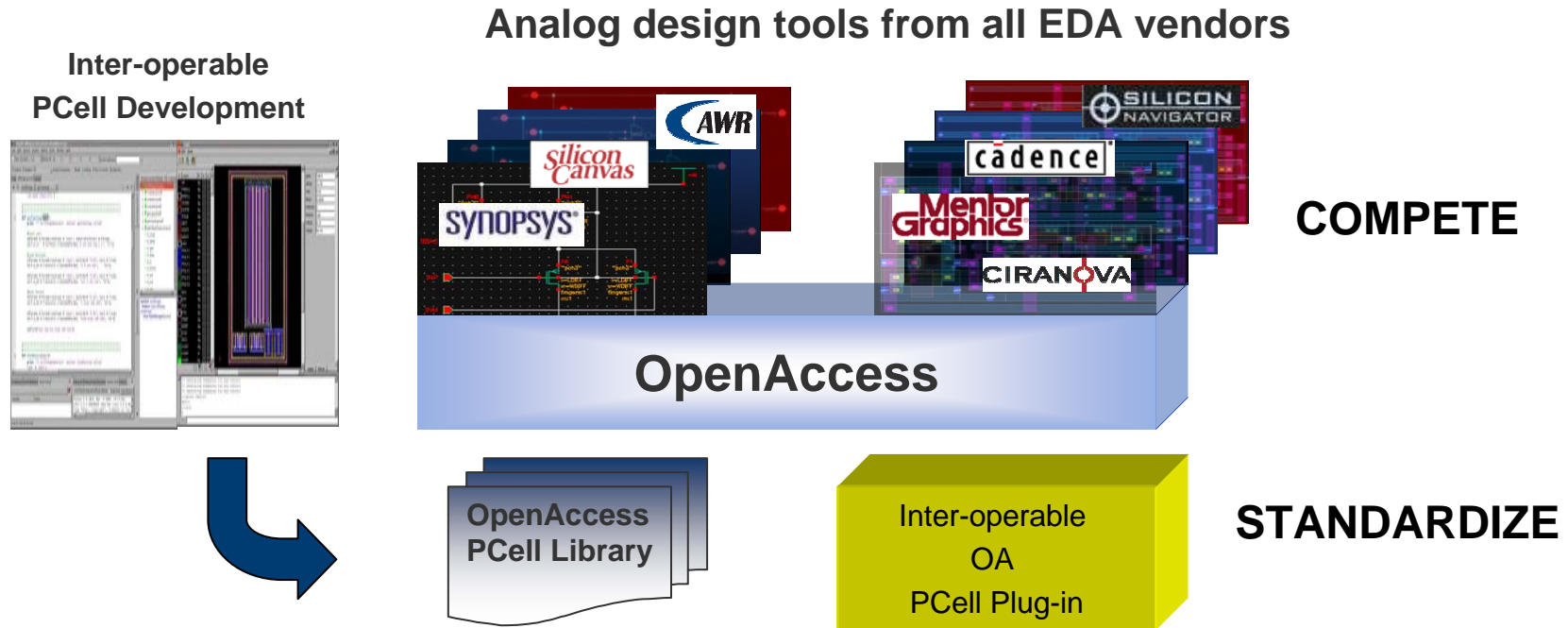
Customer Requests



Proprietary device generators supporting similar features.....



# Inter-operable PCells for OpenAccess



## Solution Requirements

- Uses a non-proprietary programming language
- Works with all OpenAccess EDA tools
- Benefits for both PCell developers and users
- Friendly business model.... i.e. FREE
- As an example..... C++ PCell and PyCell™ (Ciranova)



[www.charteredsemi.com](http://www.charteredsemi.com)